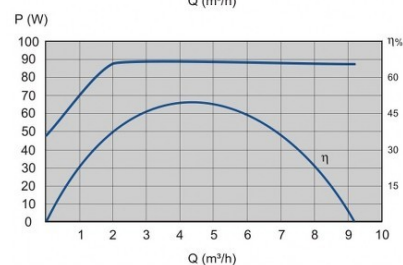
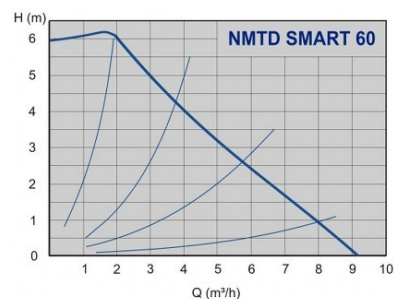


Tech. data: NMTD SMART 32/60



CODE: 979523547
Energy class: EEI ≤ 0,21 - Part 2

TECHNICAL DATA:

Q max: 9 m³/h
H max: 6 m
System pressure: PN 10 bar

ELECTRICAL PARAMETERS:

Power: 10 - 90 W
Declared current: 0,1 - 0,75 A
Power supply: 1 ~ 230 V
Insulating class: F
Degree of protection: IP 44

INSTALLATION & MEDIUM:

Pipe connection: G 2 "
Port-to-port length: 180 MM
Liquid temperature range: +2 – +110 °C
Environment temperature range: 0 – 40 °C
Max. working pressure at 50/80/110°C: 0,05/0,8/1,4 bar

MATERIALS:

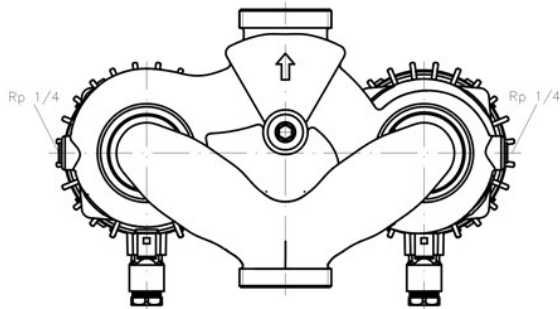
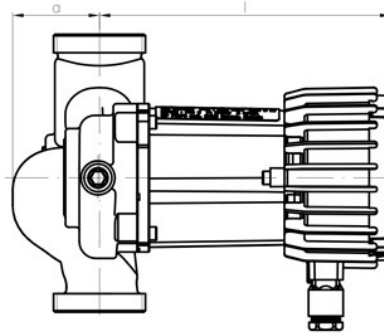
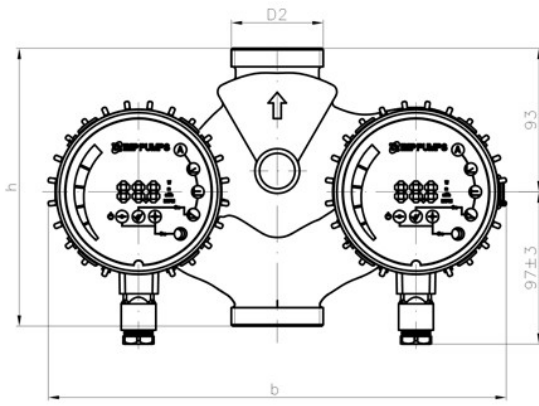
Impeller material: PES
Housing material: cast iron

OTHERS:

Casing construction: double
Net weight: 8,2 kg
Gross weight: 9,5 kg
Volume of packaging: m³

Video: [Youtube.com](https://www.youtube.com)

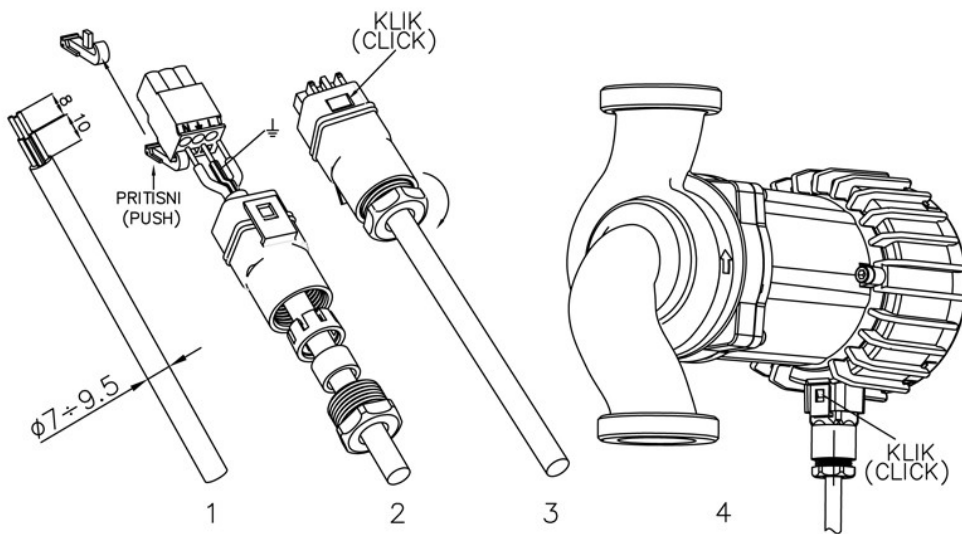
Diagram and el. wiring: NMTD SMART 32/60



DN = 32
D2 = 2"

h = 180
a = 56
l = 190
b = 297

1



7350028 v.2

3

